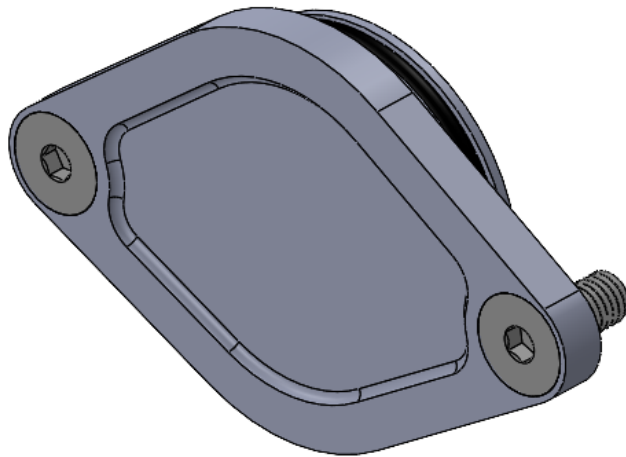




## Cummins Front Race Freeze Plug

P/N 122910-2V2

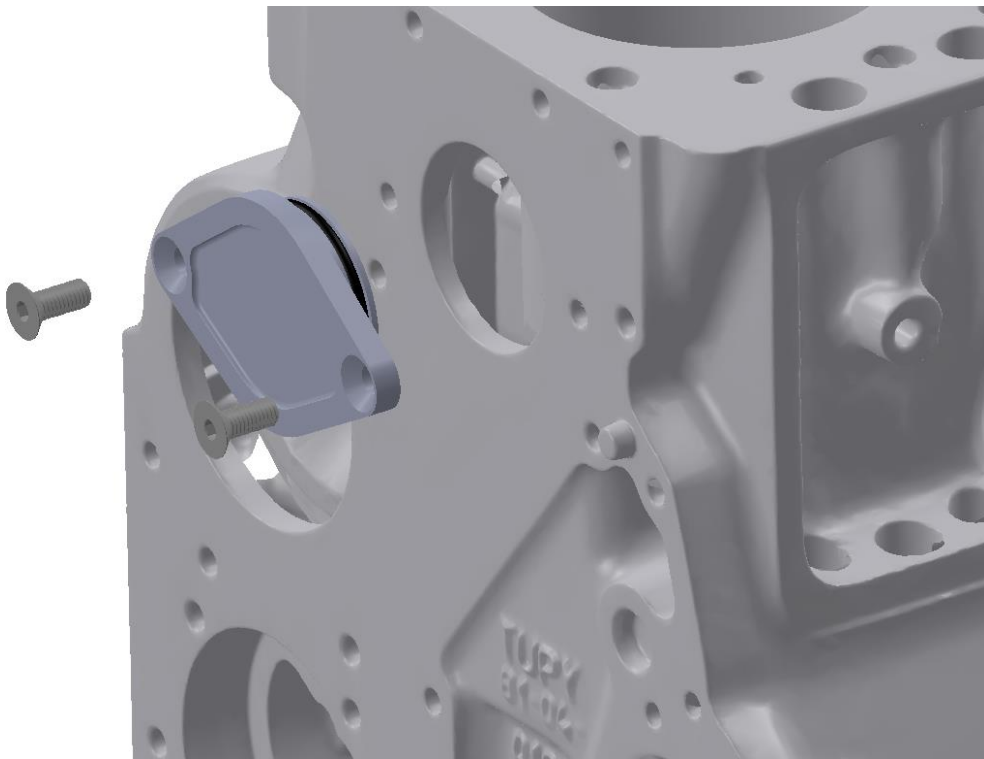


### Features:

- Billet machined construction with decorative pocketing
- Bolt-in mounting
- Replaceable O-ring seal

## Installation Instructions

1. Remove the factory press-in freeze plug
2. Clean the freeze plug bore for a smooth sealing surface
  - a. Make sure there is no pitting on the bore
3. Put a light coat of grease on the freeze plug O-ring
4. Press the freeze plug into the bore and align the bolt holes with the threaded holes in the block
  - a. Make sure the O-ring stays seated in the groove



5. Put Loctite 242 or 243 on the bolts

6. Install the bolts and torque to a maximum of 18 ft-lbs

